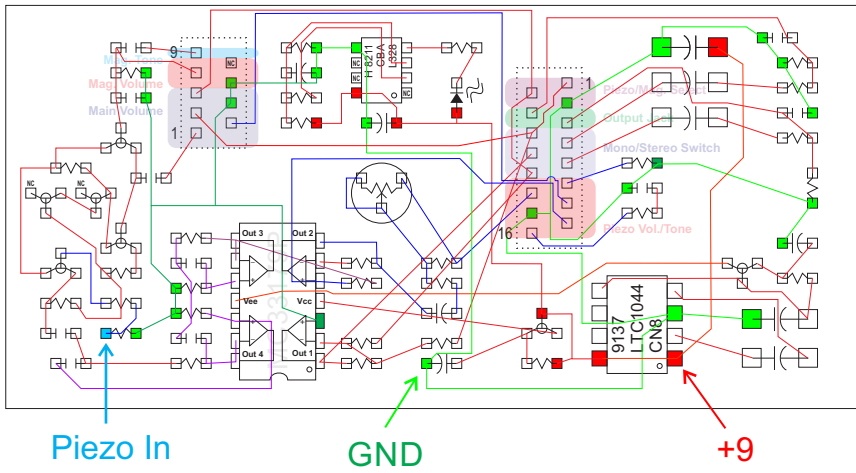


PCB back Side

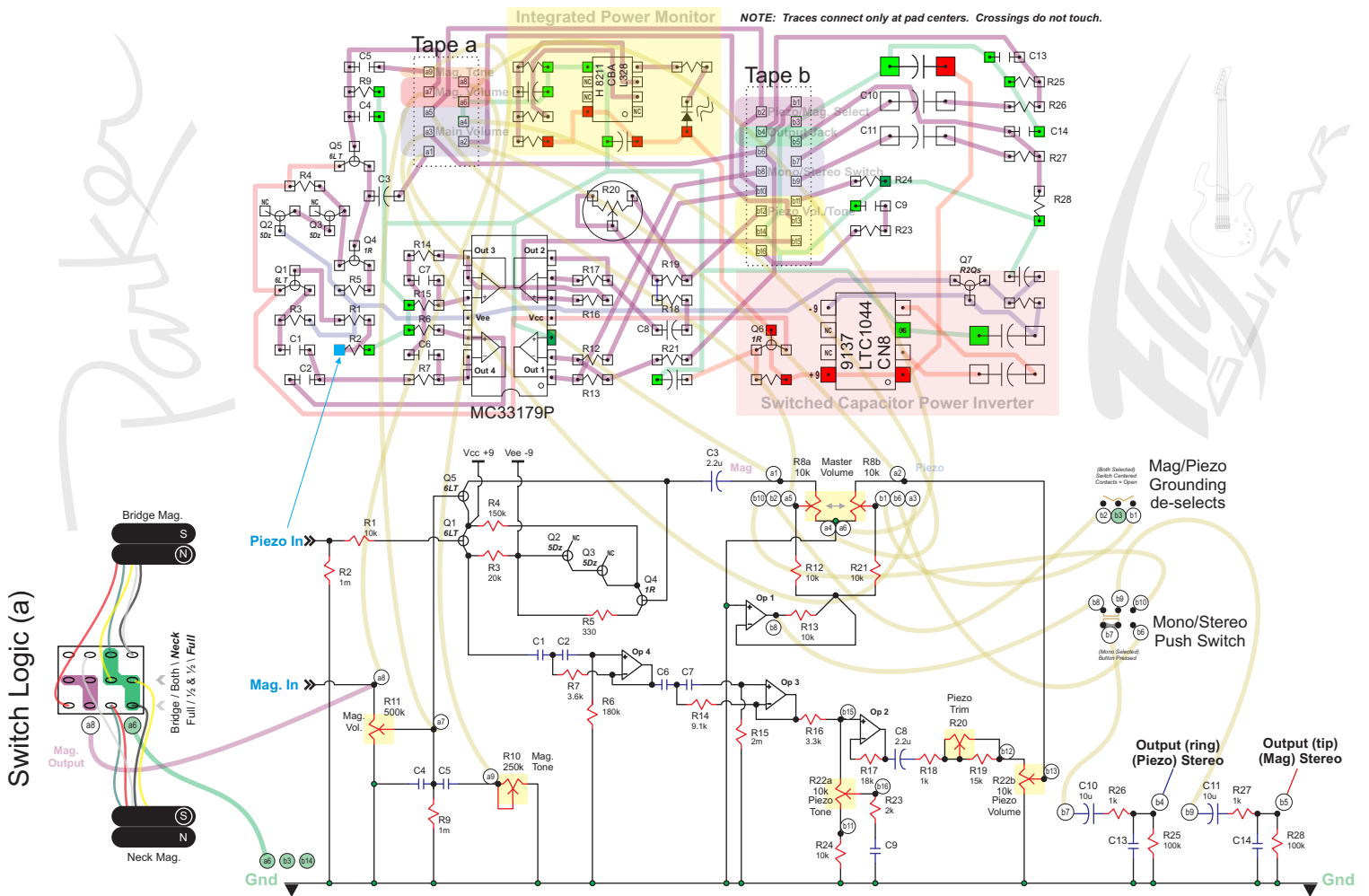


(circa 1996)
Parker Fly
Classic Guitar
Factory Wiring

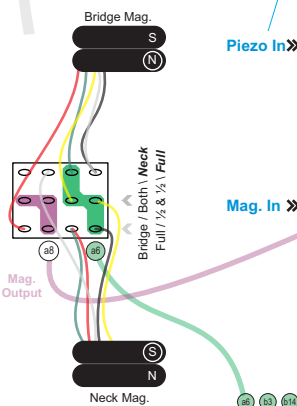
MC3179P
 High Output Current, Low Power,
 Low Noise Bipolar Op Amp

8211
 Low Battery Voltage Detector

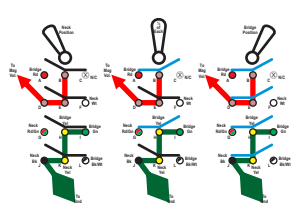
LTC1044
 Switched Capacitor Voltage Converter



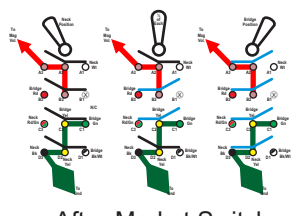
Switch Logic (a)



RHEOSTAT MAKER:
 TOCOS / JAPAN

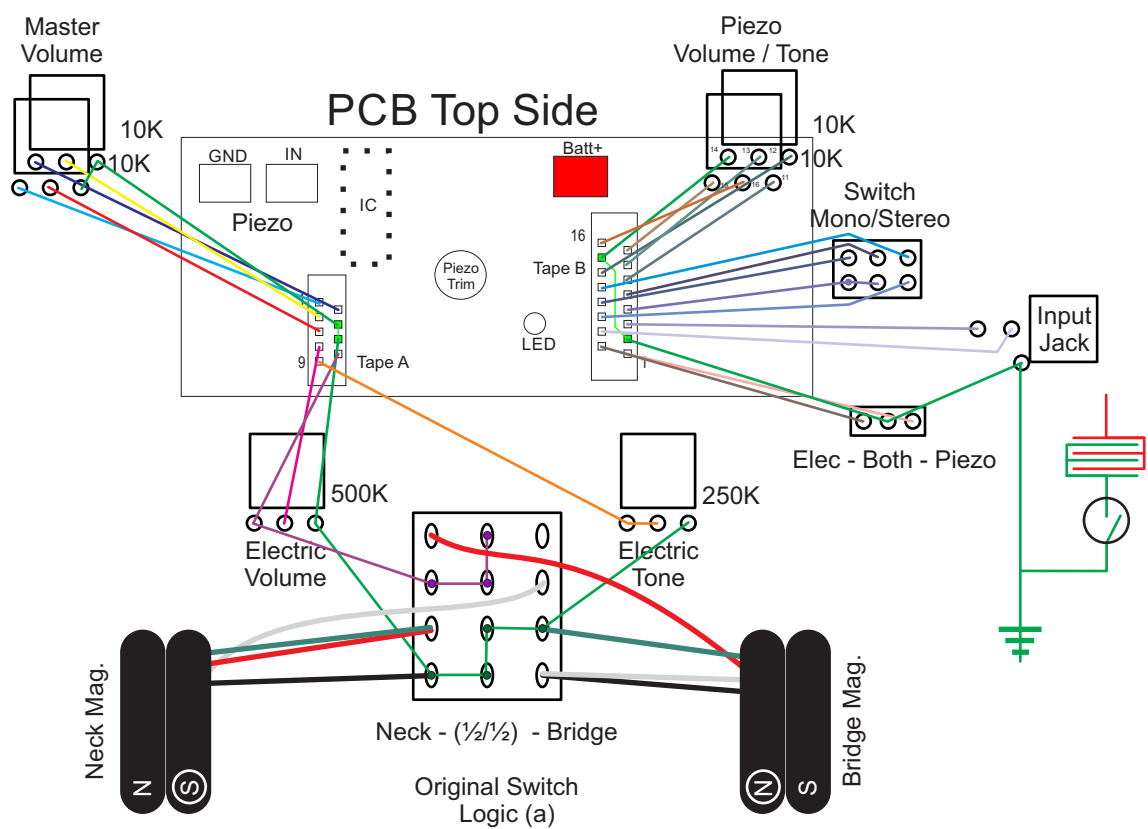


Factory Switch (1996)
 Logic (a)



After-Market Switch
 Logic (b)

PCB Top Side



Original Switch
 Logic (a)